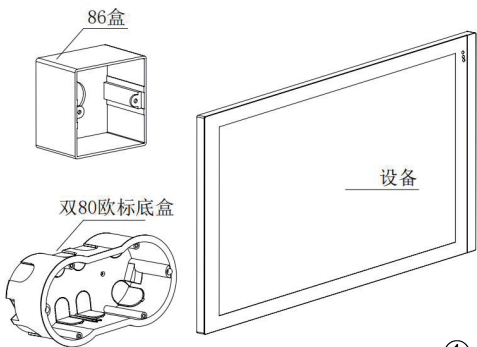
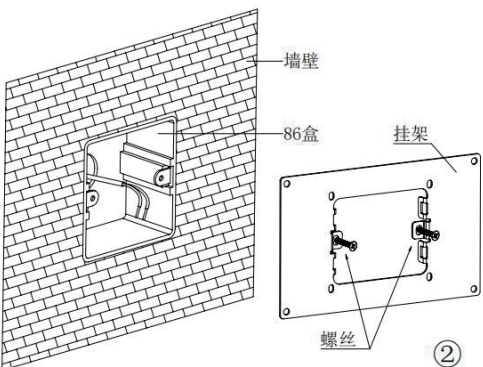


安装说明



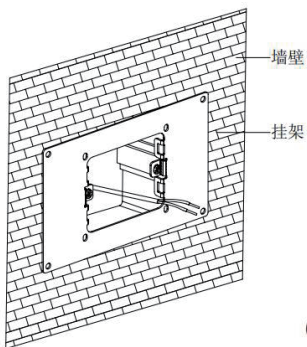
①

1. 设备安装适配，单 86 盒与双 80 欧标底盒；



②

2. 先取出挂架及挂架固定螺丝，用螺丝将挂架固定在预埋盒上；



③

3. 安装好挂架；

Installation Instructions

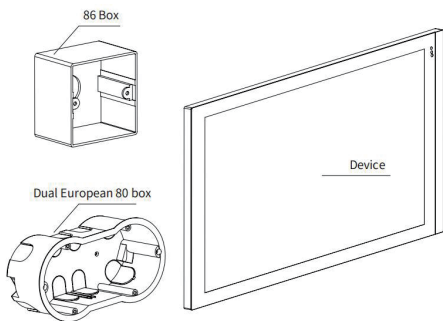


Fig. 1

1. Device installation adaptability: Single 86 Box and Dual European 80 Box.

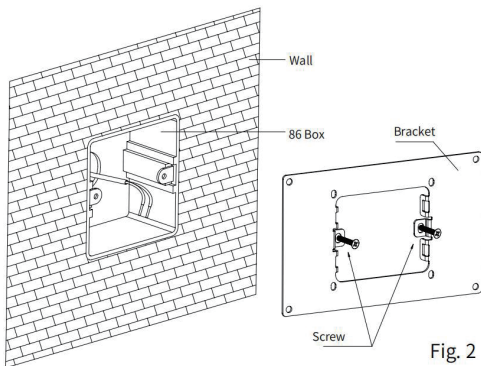


Fig. 2

2. First, remove the hanging bracket and the fixing screws of the bracket, then secure the bracket to the pre-embedded box using the screws.

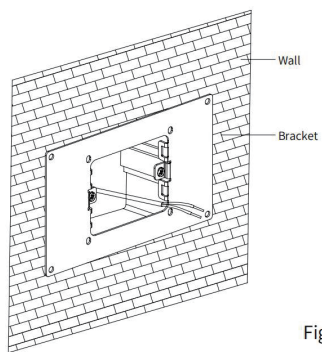
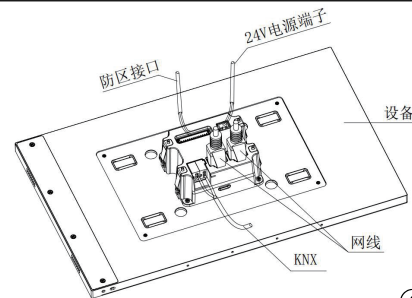


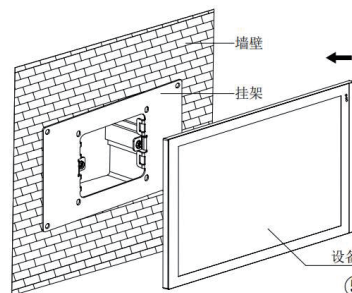
Fig. 3

3. Install the hanging bracket properly.



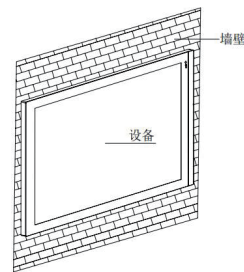
④

4. 将接好线的 EIB 端子插入设备并将网线与设备连接好；



⑤

5. 将设备推入固定好的挂架，直到设备上的弹片卡入挂架卡扣内；



⑥

6. 完成设备安装；

7. 取设备只需往外拉拔设备即可；

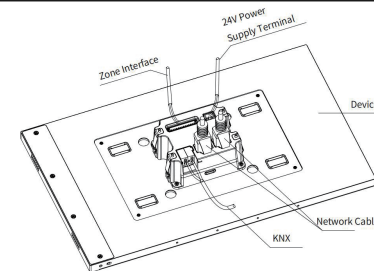
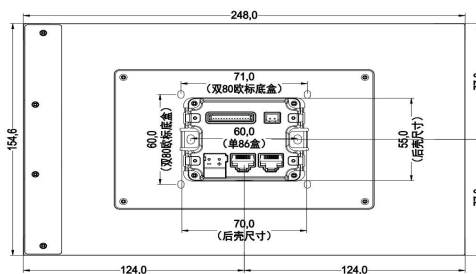


Fig. 4

4. Insert the EIB terminal with the connected wires into the device and connect the Ethernet cable to the device properly.

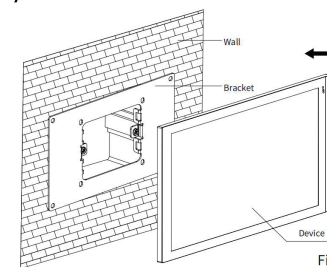


Fig. 5

5. Push the device into the securely fixed bracket until the spring clips on the device snap into the bracket's notches.

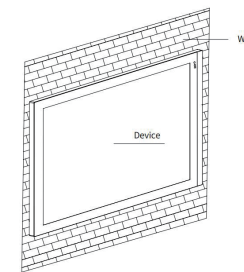
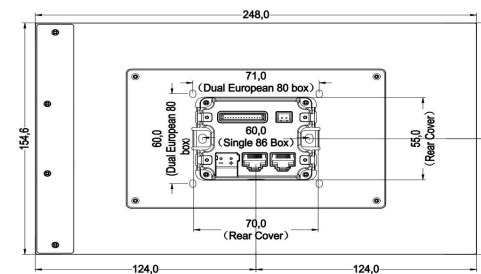


Fig. 6

6. Complete the device installation.

7. To remove the device, simply pull it outward.



## KNX Smart LCD Panel Q10 Technical Specification

Q10 (Gray)

### The worldwide STANDARD for home and building control

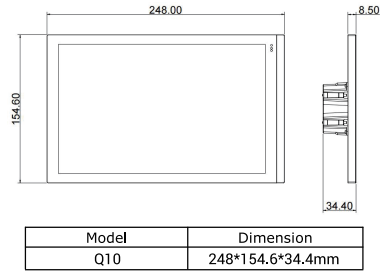
#### CHARACTERISTICS

- 10.1 inch color MIPI touch screen, with high resolution 1280×800
- 4 microphones and dual speakers
- Dual network ports, ETH0 is used for video intercom and supports standard 48V PoE power supply; ETH1 is used for external network
- 8-channel dry contact inputs
- Supports WiFi, Bluetooth, and Ethernet
- Homepage function available, with 3 device control mode including device view, area view and area plan view
- 240 KNX channels, with basic control functions including switch, dimming, blinds, valve sender, color temperature, color control (RGB, RGBW, RGBCW), audio control, room temperature control, Air conditioner, Ventilation System control, Air quality and Energy Metering display, etc.
- Support KNX gateway function
- 16 Schedules, 8 Scene Group functions, 8 Logic functions
- 30 KNX scene functions
- 24 Alarm functions
- Human Centric Lighting (HCL) available
- Day/Night signal and summer time automatic adjustment
- Panel locking and Screensaver
- Built-in temperature and humidity sensor, proximity sensor, brightness sensor
- Integrate with SIP intercom and cloud intercom
- Security monitoring and surveillance recording with access to IP CAM
- Voice message function and call transfer function
- Setting defense zone setup for arm and disarm functions
- OTA upgrade available
- Support the KNX Data Secure

#### PARAMETERS

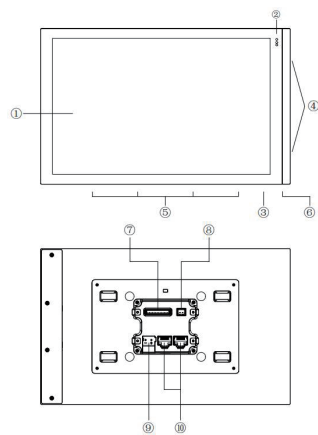
<b>Power Supply</b>	Bus voltage	21-30V DC, via the KNX bus
	Bus current	<3.8mA/24V, <3.4mA/30V
	Bus	<0.1W
<b>Auxiliary Supply</b>	Voltage	22-30V DC
	Current	<350mA/24V, <280mA/30V
	Consumption	<8W
<b>Connection</b>	KNX	Bus connection terminal (Red/Black)
	Auxiliary Supply	2P Terminal (Red/Black)
	RJ45	Standard PoE Supply
<b>RJ45</b>	For access to intercom system or connect Ethernet	
<b>Operation and display</b>	Push button	Reset Button
<b>Proximity sensor</b>	Normal:30cm	Enhanced:60cm
<b>Temperature</b>	-40-80℃	
<b>Humidity sensor</b>	0-100%	
<b>Temperature</b>	Operation	- 5 °C ... + 45 °C
	Storage	-25 °C ... + 55 °C
	Transport	- 25 °C ... + 70 °C
<b>Environment</b>	Humidity	<95%, except dewing
<b>Installation</b>	Single 86 Box or Dual European 80 Box	

#### DIMENSIONS



#### DESCRIPTIONS

CHTI-10.1/240.1.2



- ① Touch and display area
- ② Proximity sensor and brightness sensor
- ③ Temperature sensor
- ④ Loudspeaker
- ⑤ Microphone
- ⑥ Reset button
- ⑦ Zone Interface
- ⑧ Auxiliary supply terminal
- ⑨ KNX bus terminal
- ⑩ Ethernet port

#### INSTALLATION FIGURE

KNX Smart Touch Q10 can be installed in a single 86 box or dual European 80 box. It requires not only KNX bus powered, but also requires a 22- 30V DC auxiliary power supply. It is available to assign the physical address by engineering design tools ETS with .knxprod (higher than edition ETS 5.7). Must ensure that the device operation, testing, detecting, maintenance correctly.

It is recommended that the touch panel be installed at a height of approximately 120~140cm from the floor and at a horizontal distance of 15~20cm from the door frame. It is not permitted to install the touch panel in a place where it is in direct contact with liquids.

#### IMPORTANT INFORMATION

Installation and commissioning of the device may only be carried out by trained electricians. The relevant standards, directives, regulations and instructions must be observed when planning and implementing the electrical installation.

- Protect the device against moisture, dirt and damage during transport, storage and operation!
- Do not operate the device outside the specified technical data (e.g. temperature range)!

Should the device become soiled, it may be cleaned with a dry cloth. If this does not suffice, a cloth lightly moistened with soap solution may be used. On no account should caustic agents or solvents be used.

## KNX智能液晶面板Q10技术规格书

适用型号：  
Q10（静谧灰）

### 国际标准的家庭和楼宇控制系统

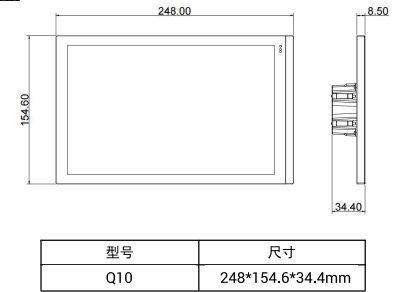
#### 产品功能

- 10.1 吋彩色 MIPI 触摸屏，分辨率 1280×800
- 4 麦克风 and 双喇叭设计
- 双网口，ETH0 用于可视对讲，支持标准 48V POE 供电；ETH1 用于外网
- 8 路干接点输入
- 支持 WiFi、蓝牙、以太网
- 支持首页功能，且具有设备视图、区域视图和户型图三种设备控制模式
- 240 个设备通道，支持基本控制功能，包含开关、调光、窗帘、值发送、色温、颜色控制 (RGB、RGBW、RGBCW)、背景音乐、温控功能、空调控制、新风系统控制、并支持空气质量传感器检测值显示和能源检测值显示等
- 支持 KNX 网关功能
- 16 个定时功能、8 个场景组功能、8 个逻辑功能
- 30 个 KNX 场景功能
- 24 个报警信号功能
- 人本照明控制 (HCL)
- 支持白天夜晚模式输出，以及夏令时自动调整
- 具有屏保和锁屏功能
- 内置温湿度传感器、靠近感应传感器、亮度传感器
- 集成 SIP 对讲和云对讲
- 支持安防监控和监控记录，可接入 IP CAM
- 支持语音留言功能、呼叫转移功能
- 支持防区设置，实现布防撤防功能
- 支持 OTA 升级
- 支持 KNX 安全协议

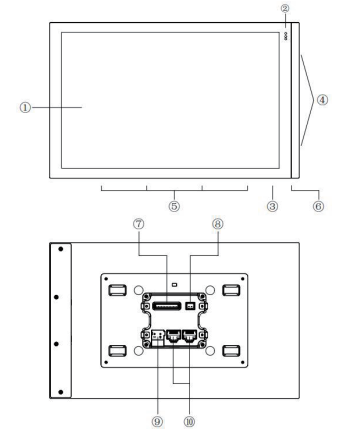
#### 技术参数

<b>总线电源</b>	总线电压	21-30V DC, 由 KNX 总线提供
	总线电流	<3.8mA/24V, <3.4mA/30V
	总线功耗	<0.1W
<b>辅助电源</b>	电压	22-30V DC
	电流	<350mA/24V, <280mA/30V
	功耗	<8W
<b>连接</b>	KNX	总线连接端子 (红/黑)
	辅助电源	2P 端子 (红黑线)
	RJ45	标准 POE 供电
<b>RJ45</b>	用于接入可视对讲系统或者连接以太网	
<b>操作和指示</b>	按键	复位按键
<b>靠近感应距离</b>	普通感应: 30cm	增强感应: 60cm
<b>温度传感器</b>	-40-80℃	
<b>湿度传感器</b>	0-100%	
<b>温度范围</b>	运行	- 5 °C ... + 45 °C
	存储	-25 °C ... + 55 °C
	运输	- 25 °C ... + 70 °C
<b>环境条件</b>	湿度	<95%，结露除外
<b>安装</b>	单 86 国标底盒或双 80 欧标底盒	

#### 尺寸规格



#### 接线图



- ① 触屏与显示区域
- ② 光感和靠近感应
- ③ 温度传感器
- ④ 喇叭
- ⑤ 麦克风
- ⑥ 复位按键
- ⑦ 防区接口
- ⑧ 辅助供电连接端子
- ⑨ KNX 总线连接端子
- ⑩ 以太网网口

#### 安装说明

KNX 智能屏 Q10, 安装在单 86 国标底盒或双 80 欧标底盒中, 它不仅需要 KNX 总线供电, 而且还需要一个 22-30V DC 的辅助电源供电。参数的设置和物理地址的分配可以使用带有 .knxprod 文件的工程设计工具软件 ETS (版本 ETS 5.7 或以上)。安装时必须确保辅助供电和总线连接正常、设备工作正常。

建议触摸面板安装距地面大约 120~140cm 高度的位置和距门框水平距离 15~20cm 的位置。触摸面板不允许安装在与液体直接接触的地方。

#### 重要提示

安装和调试设备只能由合格的熟练电工来操作。在计划与实施电气安装的过程中相关的标准、指令、规则和指示都要严格执行。

- 需要避免器件在运输、储存、使用的过程中受潮、脏污以及受损。
- 不要使器件运行在指定的技术指标之外 (例如温度范围)。

当设备脏污时, 只能使用干燥的布来清洁。如果这样不足以清洁干净, 可以使用湿布蘸少许肥皂溶液轻轻擦拭。绝不能使用碱性或者腐蚀性溶剂。